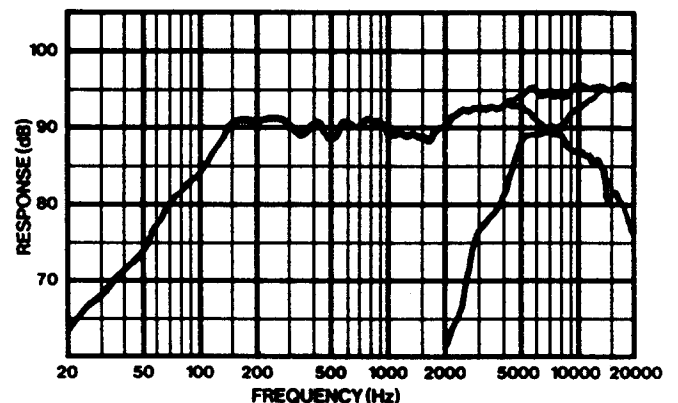


Technical specifications

KFC-P305

	SYMBOL	UNIT	KFC-P305
■ WOOFER / MIDRANGE			
Nominal Impedance	Z	ohms	4.2
DC Resistance	R _E	ohms	3.5
Voice Coil Inductance	L _{BM}	μH	0.14 × 10 ⁻³
Resonant Frequency	F _{SO}	Hz	100
Resonant Frequency Impedance	Z _{SO}	ohms	39.3
Mechanical Q Factor	Q _{MS}		5.51
Electrical Q Factor	Q _{ES}		0.54
Total Q Factor	Q _{TS}		0.49
Volume Acoustic Compliance	V _{AS}	liters (cu.ft.)	3.79 (0.134)
Mechanical Resistance	R _{MS}	kg/s	0.81
Moving Mass	M _{MS}	g	7.25
Suspension Compliance	C _{MS}	m/N	0.366 × 10 ⁻³
Emissive Diameter of the Diaphragm	D	mm	103
Voice Coil Diameter	d	mm	25.38
Voice Coil Layers	n		2
Flux Density	B	T	1.18
Force Factor	BL	T·m	5.38
Diameter of Magnet	A	mm	85
Weight of Magnet	MAG Weight	kg	0.278
■ TWEETER			
Nominal Impedance	Z	ohms	4
DC Resistance	R _E	ohms	3.2
Voice Coil Diameter	d	mm	11.8
Voice Coil Layers	n		2

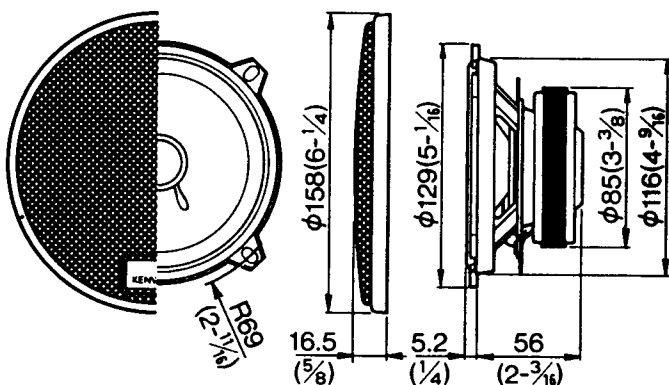
Frequency response



Dimensions

unit : mm (inch)

Midrange



Tweeter

